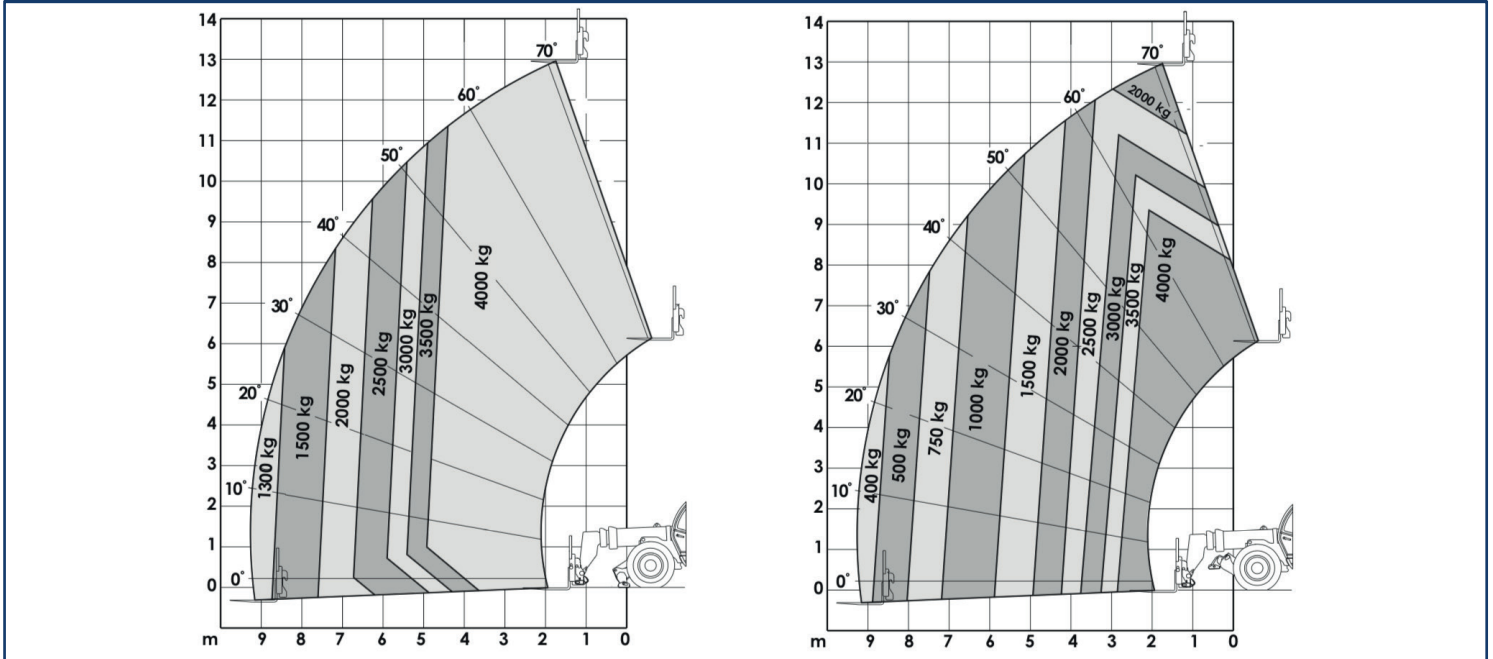
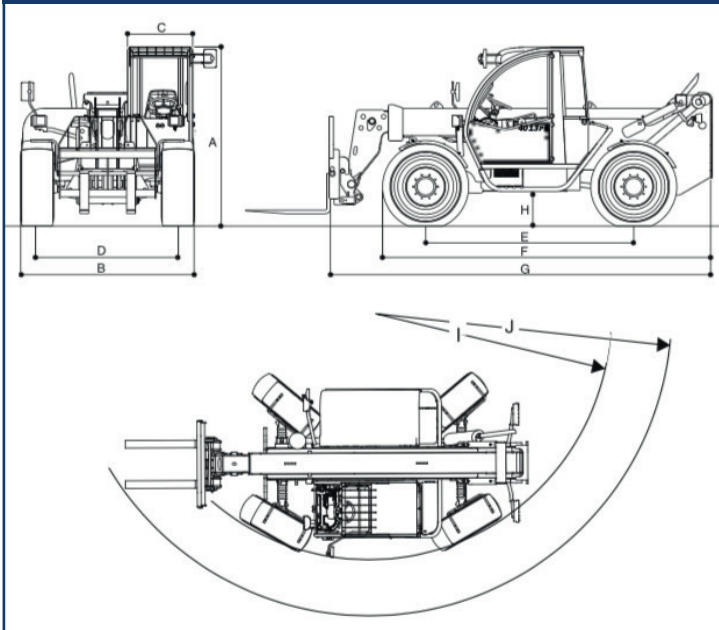


JLG 4013 PS

Working ranges



Dimensions



Dimensions

A. Overall Height	2.45 m
B. Overall Width	2.38 m
C. Width of Cab	0.89 m
D. Track width	1.92 m
E. Wheelbase	2.85 m
F. Length at front wheels	4.60 m
G. Length at fork-holder plate	6.00 m
H. Ground Clearance	0.42 m
I. Turning radius over tyres	3.80 m
J. Turning radius at fork	5.35 m
Gross Vehicle Weight	11,800 kg

Specifications

Maximum Lift Capacity

4,000 kg

Capacity at full height

4,000 kg

Maximum Forward Reach

9.20 m

Capacity at Maximum Forward Reach

1,300 kg

Lifting Height

13.00 m

Reach at Maximum Height

1.85 m

Break-out force with standard bucket

70kN

Towing Capacity

5,000 kg

Carriage Rotation

142°