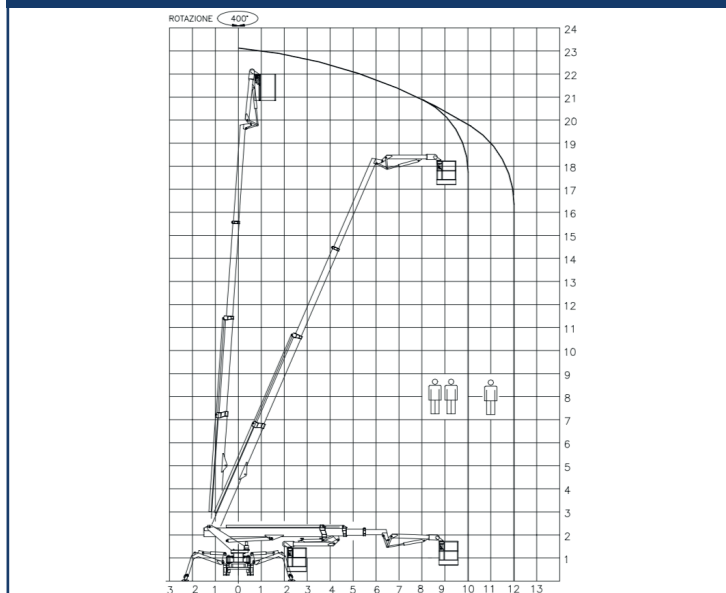
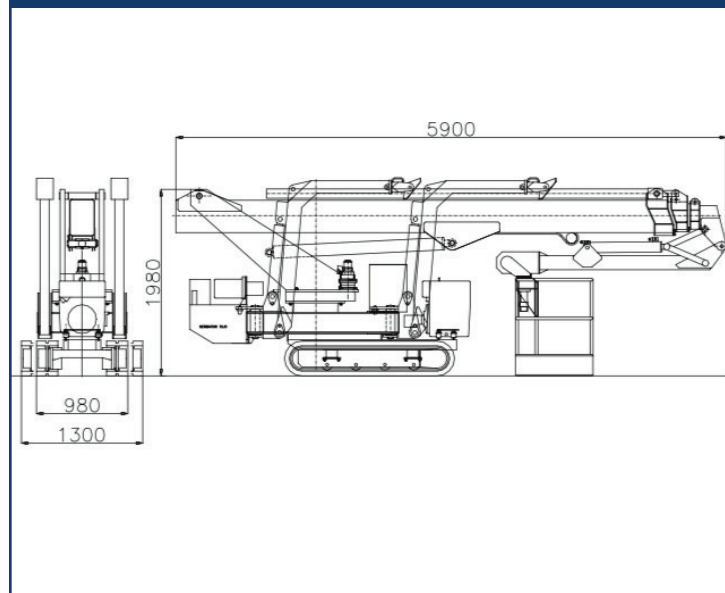


TSJ 23 / C

Working ranges

Dimensions

Specifications

MOTORE DIESEL	DIESEL ENGINE	DIESELMOTOR	MOTEUR DIESEL	10 kW
MOTORE ELETTRICO	ELECTRIC MOTOR	ELEKTROMOTOR	MOTEUR ELECTRIQUE	220V-2,2kW
PENDENZA MAX	MAX SLOPE	MAX STEIGFAHIGKEIT	PENTE MAXI	35%
VELOCITA' MAX	MAX SPEED	MAX GESCHWINDIGKEIT	VITESSE MAXI	2 KM/H APPR
ROTAZIONE TORRETTA	TURNTABLE SLEWING	DREHTURM ROTATION	ROTATION TOURELLE	400°
NAVICELLA AEREA	AERIAL CAGE	ARBEITSKORB	NACELLE	1.75\2.0 x 0.8 m.
ROTAZIONE NAVICELLA	CAGE ROTATION	KORB ROTATION	ORIENTATION NACELLE	80°+ 80°
PORTATA UTILE	SAFE WORK. LOAD	ZULADUNG	CHARGE UTILE	200 KGS
PESO	WEIGHT	GEWICHT	POIDS	3.500 KGS