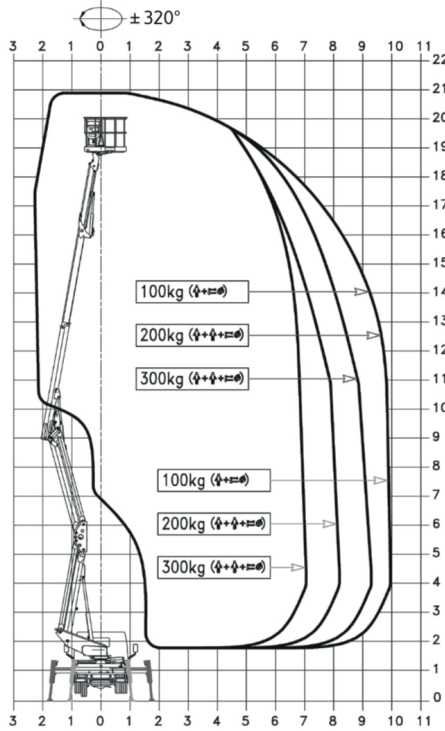
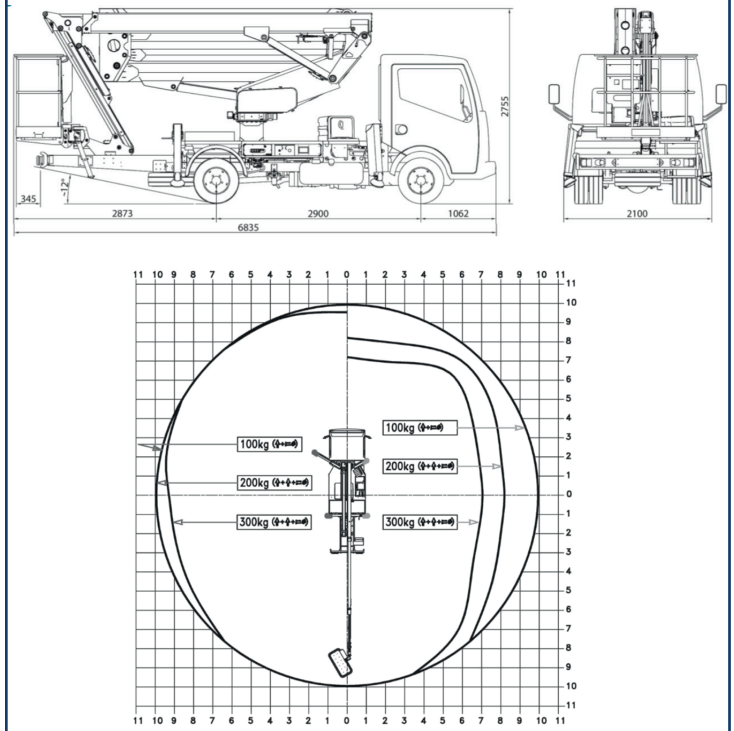


# CTE ZED 21.3 JHV

## Working ranges



## Dimensions



## Specifications



21 m\*



10 m\*



300 kg



19 m



1400x700x1100  
mm

**GVW min**

3,5 t

\* outreach and height max values and repeatability can change within ± 3% due to manufacturing variation and working condition.