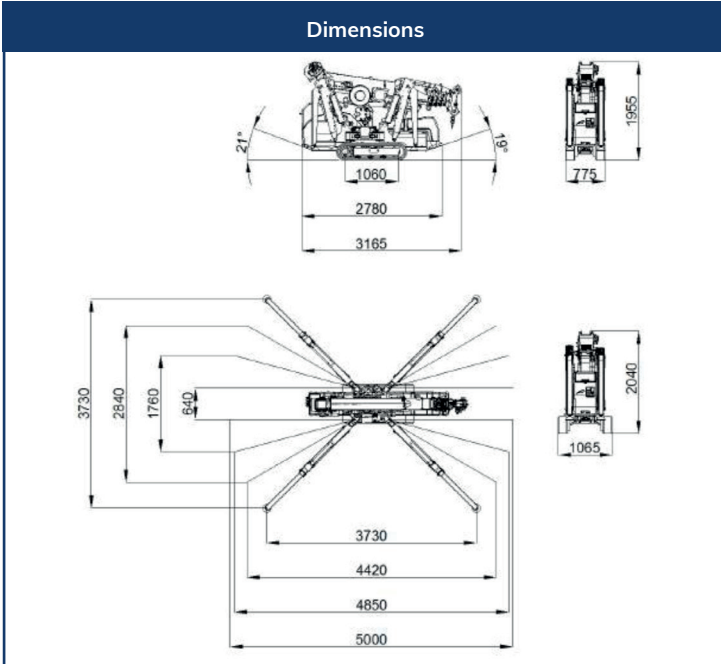


JEKKO SPX 424

Dimensions



Specifications

HOIST PERFORMANCE

Layer	Max Line Pull	Normal Line Speed	High Line Speed
	kg	m/min	m/min
1	1000 (*)	21	25.7
2	930 (*)	22.5	28.0
3	860 (*)	24.5	29.5
4	800	26	31.8

(*) LMI limited at 800 [kg]

Wire Rope	Diameter	Tot. Length	Max Load
	mm	m	kg
A4 ALC	7	70	4970

HOOK BLOCK

LOAD	No. of	
	Sheaves	Lines
2400	2	3
1600	1	2
800		1



CDH: 14,9kW/20Hp



C+: 4,0kW/5,5Hp



2,6 - 8,5m



2400kg

Working ranges Main boom

