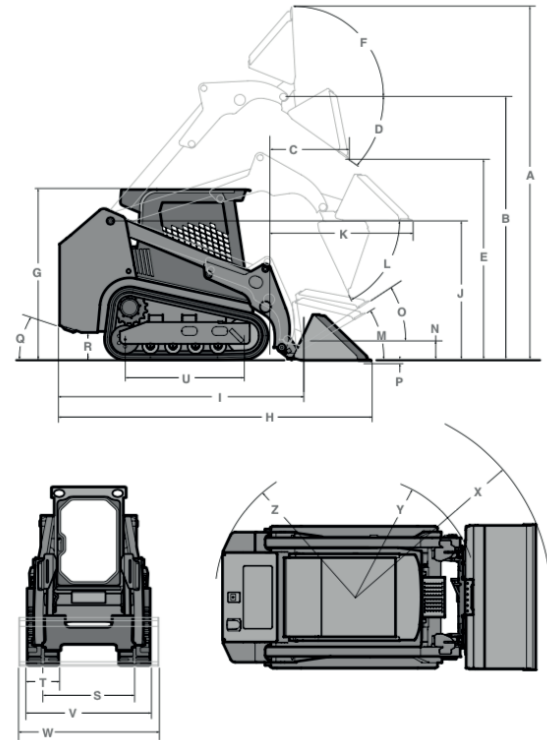


MUSTANG 2100 RT

Dimensions

DIMENSIONS		168" (4267)	172" (4369)	175.2" (4450)
A. Overall Operating Height – Fully Raised (mm)		168" (4267)	172" (4369)	175.2" (4450)
B. Height to Hinge Pin – Fully Raised (mm)		127.5" (3239)	128" (3251)	128" (3251)
C. Reach – Fully Raised (mm)		34.5" (876)	37.0" (940)	39.2" (996)
D. Dump Angle – Fully Raised		40.2°	39°	41°
E. Dump Height – Fully Raised (mm)		98" (2489)	95.7" (2431)	91.7" (2329)
F. Maximum Rollback Angle – Fully Raised		102.5°	102.5°	102.5°
G. Overall Height at ROPS (mm)		82.8" (2103)	83.1" (2111)	83.1" (2111)
H. Overall Length w/ Bucket – Std. c-wt. (mm)		144.0" (3658)	152.3" (3868)	166.0" (4216)
I. Overall Length w/o Bucket – Std. c-wt. (mm)		110.8" (2814)	114.5" (2908)	125.0" (3175)
J. Specified Height (mm)		67.5" (1715)	67.7" (1720)	67.7" (1720)
K. Reach at Specified Height (mm)		31.1" (790)	31.8" (808)	32.0" (813)
L. Dump Angle at Specified Height		75°	75°	75°
M. Maximum Rollback Angle at Ground		30°	30°	30°
N. Carry Position (mm)		7" (179)	7" (179)	7" (179)
O. Maximum Rollback Angle at Carry Position		33°	33°	33°
P. Digging Position – Below Ground (mm)		-0.3" (7.6)	-0.2" (5.1)	-0.2" (5.1)
Q. Angle of Departure with Std. c-wt.		30.4°	29.2°	25°
R. Ground Clearance (mm)		13.3" (343)	13" (330)	13" (330)
S. Track Gauge (mm)		51.7" (1313)	51.7" (1313)	51.7" (1313)
T. Track Shoe Width (mm)		12.6" (320)	17.7" (450)	17.7" (450)
U. Crawler Base (mm)		54.8" (1392)	58.4" (1483)	61.5" (1562)
V. Overall Width – Less Bucket (mm)		64.4" (1636)	69.5" (1765)	69.5" (1765)
W. Bucket Width (mm)		65.9" (1674)	73.9" (1877)	83.9" (2131)
X. Clearance Radius – Front With Bucket (mm)		91.4" (2322)	98.1" (2492)	104.7" (2659)
Z. Clearance Radius – Rear w/ Std. c-wt. (mm)		62.1" (1577)	64.6" (1641)	70.7" (1796)
Maximum Rollback at Specified Height		66.8°	66.8°	66.8°
Angle of Approach		90°	90°	90°
Grouser Height (mm)		1" (25)	1" (25)	1" (25)



Specifications

	Grouser Height (mm)	1" (25)	1" (25)	1" (25)
CAPACITY	Operating Capacity at 35% Tipping Load (kg)	1750 lbs. (794)	2100 lbs. (953)	2500 lbs. (1134)
	Operating Capacity at 50% Tipping Load (kg)	2500 lbs. (1134)	3000 lbs. (1361)	3571 lbs. (1620)
	Tipping Load (kg)	5000 lbs. (2268)	6000 lbs. (2722)	7143 lbs. (3240)
	Operating Weight (kg)	8605 lbs. (3903)	9890 lbs. (4486)	11,595 lbs. (5259)
ENGINE	Make/Model	Yanmar / 4TNV98 Interim Tier 4	Yanmar / 4TNV98T Interim Tier 4	Deutz / TD 3.6 Tier 4
	Type	4-Stroke Naturally Aspirated	4-Stroke Turbo	4-Stroke Turbo
	Displacement (L) / cylinders	203 cu.in. (3.3) / 4	203 cu.in. (3.3) / 4	221 cu.in. (3.6) / 4
	Gross Power (kW) @ rpm	69.9 hp (52.1) @ 2500	72 hp (53.7) @ 2500	74.3 hp (55.4) @ 2300
	Net Power (kW) @ rpm	68.4 hp (51) @ 2500	70.7 hp (52.7) @ 2500	NA
	Peak Torque (Nm) @ rpm	179 ft.-lbs. (242.7) @ 1600	206 ft.-lbs. (279.3) @ 1700	243 ft.-lbs. (330) @ 1500
	Oil Pump Capacity (L)	11 qts. (10.4)	11 qts. (10.4)	9 qts. (8.5)
	Alternator Voltage/Amperage	14V / 95A	14V / 95A	14V / 95A
TRACK DRIVES	Drawbar Pull / Tractive Effort (kg)	11,840 lbs. (5371)	12,359 lbs. (5606)	14,317 lbs. (6494)
	Track Type / Track Rollers / Roller Type	Rubber / 4 / Steel	Rubber / 5 / Steel	Rubber / 5 / Steel
	Track Width (mm)	12.6" (320)	17.7" (450)	17.7" (450)
FORCES	Ground Pressure (bar)	6.2 psi (0.43)	4.7 psi (0.32)	5.3 psi (0.37)
	Bucket Breakout – Tilt Cylinder (kg)	5189 lbs. (2354)	5492 lbs. (2491)	6894 lbs. (3127)
	Bucket Breakout – Lift Cylinder (kg)	4840 lbs. (2195)	5398 lbs. (2449)	6786 lbs. (3078)
	Ground Speed – Single Speed (km/hr)	5.1 mph (8.2)	5.4 mph (8.7)	5.4 mph (8.7)
Ground Speed – Two Speed (km/hr)	7.5 mph (12.1)	7.9 mph (12.7)	7.9 mph (12.7)	