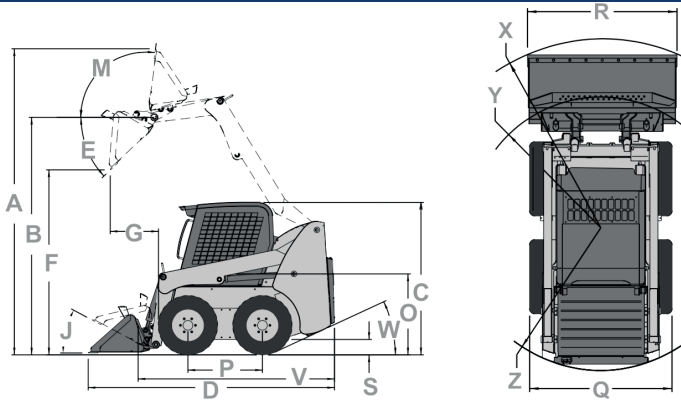


# GEHL R165

## Dimensions



DIMENSIONS

A. Overall Operating Height - Fully Raised (mm)	152.6" (3876)
B. Height to Hinge Pin - Fully Raised (mm)	119" (3023)
C. Overall Height to Top of ROPS (mm)	76.7" (1948)
D. Overall Length with Bucket (mm)	122.1" (3101) w/61.5" Bucket
E. Dump Angle at Full Height	38°
F. Dump Height (mm)	93.7" (2379)
G. Dump Reach at Full Height (mm)	22.8" (579)
J. Rollback at Ground	28°
M. Rollback Angle at Full Height	99°
O. Seat to Ground Height (mm)	35.6" (904)
P. Wheelbase (mm)	38.9" (988)
Q. Overall Width - Less Bucket <sup>^</sup> (mm)	63.2" (1605)
R. Bucket Width (mm)	61.5" (1562)
S. Ground Clearance to Chassis (mm)	6.3" (160)
V. Overall Length - Less Bucket (mm)	93.9" (2385)
W. Rear Departure Angle	21°
X. Clearance Circle - Front w/ Bucket (mm)	73.6" (1869)
Y. Clearance Circle - Front w/o Bucket (mm)	45.4" (1153)
Z. Clearance Circle - Rear (mm)	57.7" (1466)
Standard Specification Tire Size	10.00x16.5 HD

## Specifications

CAPACITIES / WEIGHTS	Rated Operating Capacity <sup>B</sup> (kg)	1,650 lbs. (748)
	Rated Op. Capacity with Opt. Counterweight <sup>B</sup> (kg)	1,800 lbs. (816.5)
	Fuel Tank (L)	16.5 gal. (62.5)
	Travel Speed - Maximum (km/hr)	7.8 mph (12.6)
	Travel Speed w/ Two-Speed Option - Maximum (km/hr)	12.1 mph (19.5)
	Operating Weight <sup>C</sup> - Approximate (kg)	6,165 lbs. (2796)