

JLG 1850 SJ

Specifications

Performance

Platform Height	185 ft 7 in.	56.56 m
Horizontal Outreach	80 ft	24.38 m
Below Ground Reach	4 ft 10 in.	1.47 m
Swing	360° Continuous	
Platform Capacity-Restricted	1,000 lb	454 kg
Platform Capacity-Unrestricted	500 lb	227 kg
Platform Rotator	173° Hydraulic	
Jib Length	13-20 ft	3.96-6.1 m
Jib Range of Articulation	120° (+75, -45)	
Weight ¹	59,930 lb	27,184 kg
Max. Ground Bearing Pressure	119.6 psi	8.41 kg/cm ²
Drive Speed	2.8 mph	4.5 km/h
Gradeability	40%	
Turning Radius (Inside)		
Axles Retracted	23 ft 4 in.	7.12 m
Axles Extended	7 ft 7 in.	2.3 m
Turning Radius (Outside)		
Axles Retracted	31 ft 3 in.	9.52 m
Axles Extended	21 ft 8 in.	6.6 m

1. Certain options or country standards increase weight.

Standard Specifications

Power Source

Diesel Engine		
Deutz TD 3.6L	99.8 hp	74.4 kW
Fuel Tank Capacity	52.8 gal	200 L

Hydraulic System

• Hydraulic Tank Capacity	75.1 gal	284.2 L
---------------------------	----------	---------

Tires

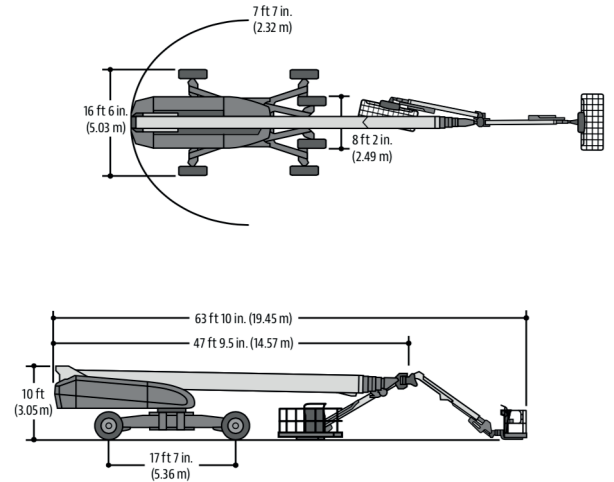
• Standard	445/50D710 24 ply Foam-Filled
------------	-------------------------------

Standard Features

- Platform 36 x 96 in. (.91 x 2.44 m) Side Entry
- Selectable Capacity Envelope
- Drive-Out Extendable Axles
- 173° Hydraulic Platform Rotator
- AC Receptacle in Platform
- Tilt Light and Alarm
- Swing-Out Engine Tray
- 12V-DC Auxiliary Power
- Hourmeter
- Control ADE® System
- Full-Time 4WD
- 3 Selectable Steering Modes
- Proportional Controls
- Gull-Wing Steel Hoods
- 445/50D710 Foam-Filled Rim Protector Lug Tread Tires
- Platform Console Machine Status Light Panel*
- Lifting/Tie Down Lugs
- Engine Distress Warning/Shutdown—Selectable via JLG Analyzer
- All Motion Alarm
- Glow Plugs
- LCD Panel at Operator's Platform Control Console

* Provides indicator lights at platform control console for system distress, fuel level, low fuel, 5 degree tilt light, foot switch status and SkyPower® Package 2.

Dimensions



Working ranges

